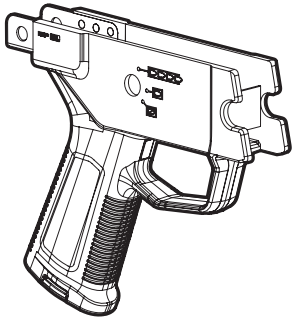




This document is subject to the Arms Export Control Act (22 U.S.C. 7228) and the International Traffic in Arms Regulations (22 C.F.R. Parts 120-130). A prior authorization or license from the U.S. State Department Directorate of Defense Trade Controls is required to export, re-export, re-transfer, or show this document to any foreign person whether in the United States or abroad.

SL GRIP MODULE

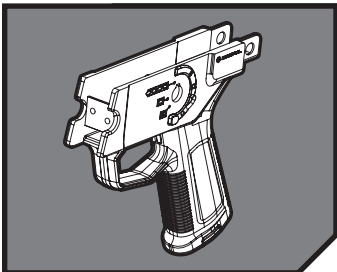


MAG1070 MAGPUL SL GRIP MODULE - HK94/93/91 & SEMI SHELF HK CLONES

READ ALL INSTRUCTIONS BEFORE PROCEEDING TO AVOID LOSING ANY SMALL COMPONENTS

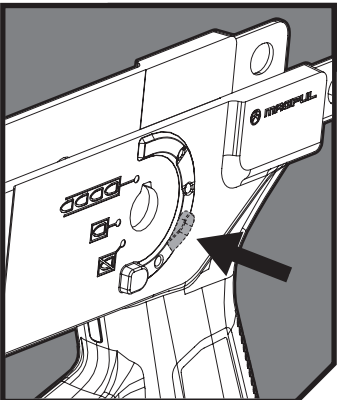
INSTALLATION INSTRUCTIONS

WARNING: BEFORE STARTING, MAKE SURE THE WEAPON IS UNLOADED, THE CHAMBER IS EMPTY, AND THE SAFETY ENGAGED.



STEP 1: UNINSTALL EXISTING GRIP MODULE & REMOVE TRIGGER MECHANISM FROM EXISTING GRIP MODULE

Remove *grip module* and *trigger mechanism* per firearm user manual.



STEP 2: REMOVE SAFETY SELECTOR STOP (OPTIONAL)

If the SL Grip Module is to be used with a safe/semi firearm, proceed to Step 3.

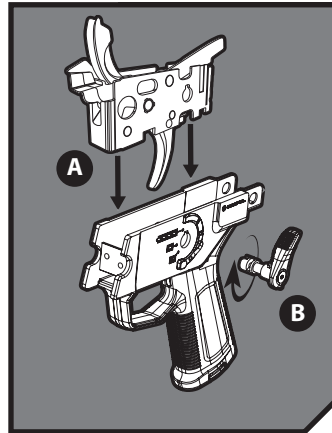
If the SL Grip Module is to be used with a select-fire firearm, continue reading.

To use the SL Grip Module with a select-fire firearm, the safety/selector lever stop between the "safe" and "full-auto" positions must be permanently removed by a qualified armorer or gunsmith to allow the use of the third position.

Removal of the safety/selector lever stop is correctly accomplished by careful milling, grinding, and/or filing to remove material. As measured from the top of the safety/selector lever stop to the safety/selector lever detent bearing surface, 0.075" of material must be removed.

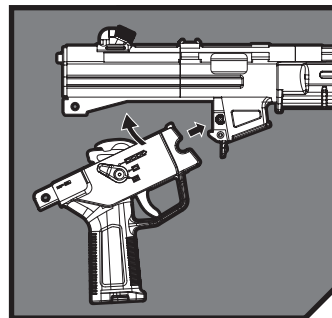
Check work by (1) ensuring that the removal area is flush with the safety/selector lever detent bearing surface and (2) that the removal area has a smooth surface finish and does not impede the safety/selector lever detent.

Note: When moving the safety/selector lever from "semi" to "full-auto" additional resistance will be experienced. This is by design and is to minimize the inadvertent selection of the third position.



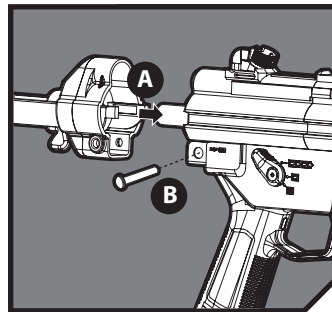
STEP 3: INSTALL SAFETY/SELECTOR AND TRIGGER MECHANISM INTO SL GRIP MODULE

(A) Seat the *trigger mechanism* in the *SL Grip Module*, ensuring that the *safety/selector lever axle* holes line up in both the *SL Grip Module* and the *trigger mechanism*. (B) With the *safety/selector lever* at the 12 o'clock position, insert the *safety/selector lever axle* into the *axle holes*. Overcome spring pressure from the *safety/selector lever detent* and rotate the *safety/selector lever* clockwise into the "safe" position.



STEP 4: POSITION SL GRIP MODULE

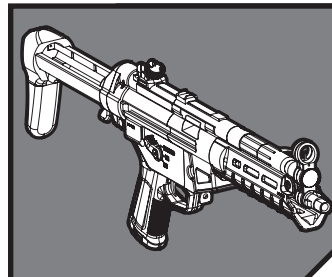
Ensuring that the selector is in the "safe" position, depress the hammer until it clicks into the cocked position. Position the *SL Grip Module* at an angle, placing the ears of the grip module over the semi shelf. Maintaining engagement with the semi shelf, pivot the rear of the Grip Module up until it meets the receiver. Apply forward pressure to ensure that the *SL Grip Module* is fully seated against the semi shelf.



STEP 5: COMPLETE INSTALLATION

(A) Line up the *locking push pin holes* in the *SL Grip Module* with the *locking push pin holes* in the backplate and receiver. (B) Insert the *locking push pin* until locked into place.

DO NOT force the *locking push pin holes* in the *SL Grip Module*, *backplate*, and *receiver* into alignment if they are grossly misaligned. Remove the *SL Grip Module*, reference "Step 3: Position SL Grip Module," and reinstall, ensuring that the front of the *SL Grip Module* is fully engaged with the semi shelf.



STEP 6: VERIFY INSTALLATION

Perform final inspection including function check per firearm user manual to verify proper weapon function.

Always test fire your weapon before using it in an operational environment.