

⚠ WARNING: Observe safe firearm handling practices at all times! Make sure the weapon is unloaded and the safety engaged!



THE SL GRIP MODULE IS **COMPATIBLE** WITH SEF/SAFE-SEMI TRIGGER PACKS AND CORRESPONDING SAFETY SELECTOR LEVERS. THE SL GRIP MODULE IS **NOT COMPATIBLE** WITH AMBI/NAVY/FBI TRIGGER PACKS OR CORRESPONDING SAFETY SELECTOR LEVERS.

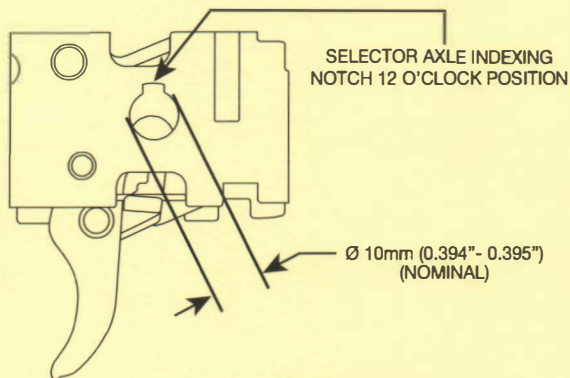
THE ESK IS **COMPATIBLE** WITH SEF/SAFE-SEMI TRIGGER PACKS AND CORRESPONDING POLYMER GRIP MODULES. THE ESK IS **NOT COMPATIBLE** WITH AMBI/NAVY/FBI TRIGGER PACKS, CORRESPONDING SAFETY SELECTOR LEVERS, OR METAL GRIP MODULES. THE QUICKEST WAY TO DETERMINE IF THE SL GRIP MODULE OR THE ESK ARE COMPATIBLE WITH YOUR TRIGGER PACK IS ILLUSTRATED BELOW.

IF YOUR FIREARM IS EQUIPPED WITH AN AMBI/NAVY/FBI TRIGGER PACK AND CORRESPONDING SELECTOR, THEY MUST BE EXCHANGED FOR AN SEF/SAFE-SEMI TRIGGER PACK AND CORRESPONDING SELECTOR IN ORDER TO FUNCTION WITH THE SL GRIP MODULE AND ESK.

HK® SP5 NOTE: TO INSTALL THE SL GRIP MODULE ONTO THE HK SP5, THE RECEIVER SHELF INSERT IN THE SL GRIP MODULE MUST BE MODIFIED IN ADDITION TO EXCHANGING THE TRIGGER PACK AND SELECTOR AS DESCRIBED ABOVE. PLEASE REFER TO THE INSTRUCTIONAL INSERT PROVIDED WITH YOUR SL GRIP MODULE.

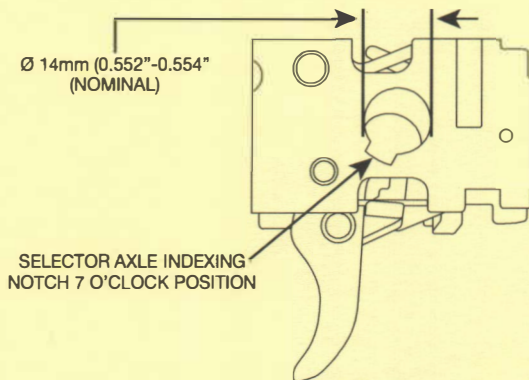
Call 1.877.4MAGPUL if you are unsure of this installation.

SEF/SAFE-SEMI TRIGGER PACK



COMPATIBLE

AMBI/NAVY/FBI TRIGGER PACK



NOT COMPATIBLE

FOR MORE TECHNICAL RESOURCES, GO TO WWW.MAGPUL.COM.