



## INSTRUCTIONS FOR HANDLING AND SHOOTING WITH THE HAMMERLI TRAINER TO ORDONNANZ - KARABINER: MOD. 31

Ammunition: lead pellets 4.4 mm

Because there is rarely more space than 5 m in apartments, the performance of the Hammerli trainer was deliberately measured at this distance.

If you follow the instructions below, shooting with the Hammerli trainer at home, in company and even in the presence of children is harmless

1. Always remember that great care should be taken when handling firearms, even if they are just air rifles.
2. Always place the target in a place where there is no risk of hitting fragile or anything that could be damaged.
3. Make sure that nobody accidentally steps into the line of fire. Windows and doors that are in the line of fire; should be blocked off.
4. Never stand or sit in the line of fire, not even along the side walls, and spectators may only be tolerated in places behind the marksman.
5. Always treat the weapon as if it were loaded, even if you are certain that it is not the case.
6. Never aim at people
7. Guns and Hammerli trainers should always be kept in a place that they are inaccessible to children and uninvited people

Handling and inserting the Hammerli trainer

8. Hold the carbine on the shaft and place the barrel muzzle down on the shoe cap or the carpet.
9. Pull out the carbine bolt with your right hand.

10. Hold the Hammerli trainer in your right hand. Make sure that the locking bar 12 is tight against the air cylinder 5 and that the tab 12a engages in the slot of the piston 8 (see Fig. 2).
11. Insert the trainer instead of the bolt without using force (so that the barrel insert is not bent) into the carbine until you feel it stop.
12. Use your right hand to grip the tension hook 22a at the rear end of the loading opening (see Fig. 1, arrow direction A).
13. Press the trainer against the lock housing with the thumb of your right hand (see B). Engage the clamping lever and clamping hook 22a with your index finger (see C) by pressing down until the first part is stuck. It is important that the tension hook 22a is also pressed down.
14. Since the trigger is half-tensioned by pushing in the trainer, before it is loaded, it must first be relaxed by pressing the trigger, as when shooting, because otherwise it is not possible to load the trainer.
15. Set the sight to 7-10 depending on the distance or air pressure.

#### Load

16. Open magazine sleeve 4 by turning to the right. Let a maximum of five pellets roll into the magazine and close the magazine in the opposite direction.
17. Rest the carbine in your lap or hips, with the barrel mouth facing upwards (so that the balls can roll out of the magazine into the barrel). With your right hand, swing the loading lever out to the side without using force, swing the loading lever back into the starting position until it stops.

#### Shooting

18. The Hammerli trainer is ready to fire.  
Handling the weapon, firing, shooting and reloading when shooting as with normal ammunition.
19. In order to learn how to properly shoot, it is of the utmost importance that the shooter always takes exactly the same position and always gets used to the same grips.

20. All movements, aim and manipulations should be carried out in a comfortable position, relaxed and never cramped. The looser the posture, the less the shooter gets tired.

21. Raise the rifle, inhale vigorously once or twice, exhale slowly, take aim and only pull the trigger if you are sure to hit the mark.

#### Removal of the trainer

It is advisable that the Hammerli-Trainer be removed from the K 31 after each shooting, otherwise there is a risk that condensation and rust will form in the carbine barrel.

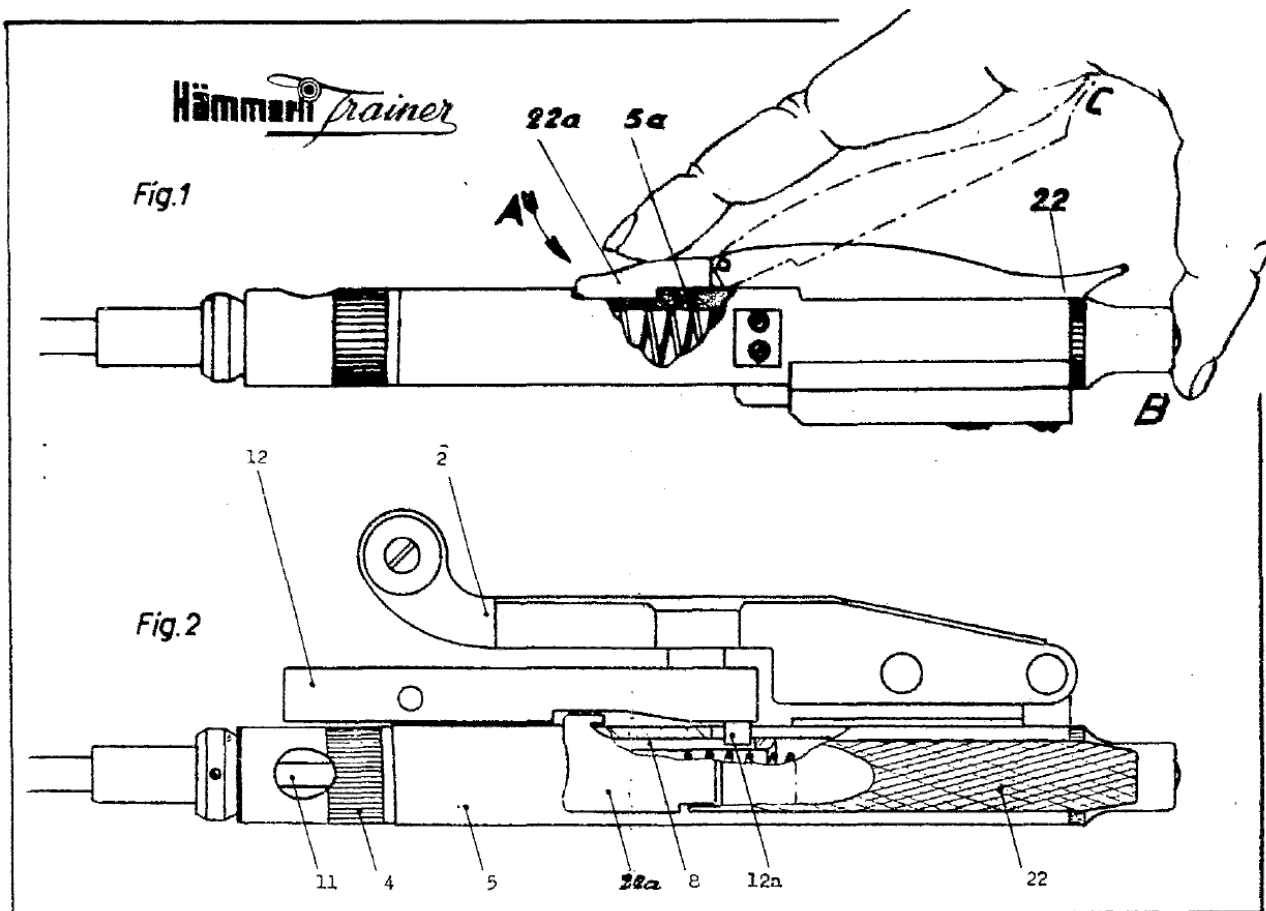
22. Before removing the trainer, press the trigger to make sure it is not cocked.

23. Open the tensioner 22 upwards (Fig. 1, dotted position) and release the hook 22 a from the lock box.

24. Carefully pull out the trainer and always make sure that the barrel insert is not warped.

25. Reinsert the K 31 bolt.

26. Set the sight normally.



An unfavorable collapse of the manufacturing tolerances between the weapon and the trainer can result in the Hammerli trainer not being able to be easily inserted into the carbine or in the trigger gear not working properly.

In such a case, avoid any use of force.

Send trainers and carbines to Lenzburg. We will get in for proper adjustment. If you do not have suitable packaging, we will send it to you free of charge.

## GENERAL

To protect the trainer from rust, it is advisable to rub it off from time to time with a slightly oily rag. If everything does not go as desired, keep in mind that the Hammerli trainer must not have the same requirements as a weapon that costs many times the trainer, but that the advantage of an almost free, entertaining and offers serious shooting training.

Considering that the power source of the Hammerli trainer is very small compared to normal air rifles and barely 1/1000 of the driving force of a small caliber cartridge, its performance and precision is astonishing. Nevertheless, one should not forget that the Hammerli trainer cannot be compared to a competition rifle in terms of precision, and it should not be overlooked that the air rifle pellets used as ammunition do not have the precision that is taken for granted with normal ammunition.

As the scatter increases, it is advisable to dribble a drop or two of the finest gun oil (very sparingly, so that no oil can enter the mechanism!) In the designated opening (5a) and then tension the trainer a few times and empty to fire so that the seals are moistened evenly with oil.

If the precision of the Hammerli trainer diminishes, the causes will be dried out seals (packings), weakening of the spring tension, broken wrapping or warping of the application barrel.

For the elimination of such faults, contact a proven specialist who is able to repair them in the shortest possible time and without great costs.

For those who value precision and trouble-free function of the trainer, we recommend only using the supplied lead balls, caliber 4.4 mm. Such balls may only be used once and can be obtained from the dealer in the original packaging.

Translation: Gabriele Bernasconi