



MICRO *RONI*
WHEN SPEED AND ACCURACY MATTER

USER MANUAL

MICRO **RONI** FEATURES AND ADVANTAGES

- The most cost effective conversion kit.
- The quickest conversion kit assembly on the market today.
- Toolless installation and no pistol disassembly required.
- Very compact and light - Ideal for concealed carry.
- Dramatically reduces recoil.
- Tremendous increase in accuracy.
- Ergonomic and user friendly.
- Ambidextrous.
- Long top Picatinny rail to mount various sighting devices.
- Side accessory Picatinny rails.
- Folding stock - non-slip butt pad (SBR models).
- Fully functional with folded stock.
- Full-Auto selector switch (optional).
- External slide release.
- Port for quick detach sling swivel.
- Safety trigger guard cover.
- Set of left and right ergonomic thumb-rests for better grip (optional).
- Front grip and extra magazine carrier for fast reload (SBR models).
- Integrated ambidextrous compact flashlight (optional).
- Unique stabilizing brace model for the U.S market (no NFA requirements).





* Optional associated products (1, 4, 6, 8, 12, 14, 23)

- * 1 Integral light & sleeve
- 2 Barrel Shroud
- 3 Accessory side-rails
- * 4 Front folding sight
- 5 Upper accessory rail
- * 6 Red dot sight
- 7 Frame
- * 8 Rear folding sight

- 9 Stock locking push button
- 10 Folding stock
- 11 Rubber butt-pad
- * 12 One point sling
- 13 Sling swivel insert
- * 14 Sling swivel
- 15 Pistol insertion hatch/door
- 16 Locking button

- 17 Charging handle
- 18 Slide release
- 19 Front grip & extra mag carrier
- 20 Trigger guard cover
- 21 Pistol extraction button
- 22 Light sleeve locking-lever
- * 23 Right & left tumb rests
- 24 Light activation push button

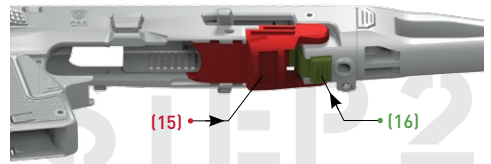
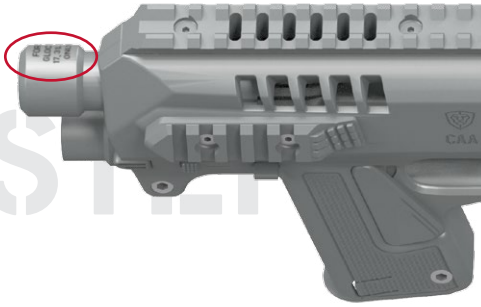
PART #: MIC-RONI17 - 17, 22, 31

PART #: MIC-RONI19 - 19, 23, 32

Compatible with Gen' 3 and 4 Glocks.
Do not use compensated models.

Color: ■ ■ ■

MICRORONI PISTOL INSTALATION



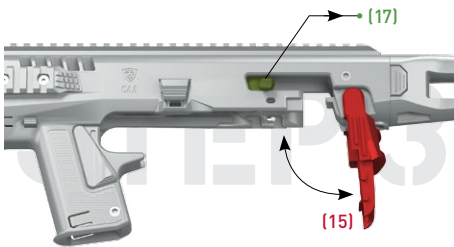
STEP 1

Make sure that your pistol's model appears on the muzzle. Otherwise, DO NOT try to install it into the MICRO-RONI.

Do not use any pistol unless it is listed!

STEP 2

Push and hold the locking-button (16). Pull back the insertion hatch/door (15).



STEP 3

Pull down open the insertion hatch/door (15) to fully extension.

Slid out the charging-handle (17).

STEP 4

⚠ MAKE SURE: PISTOL IS UNLOADED AND THE CHAMBER IS EMPTY!

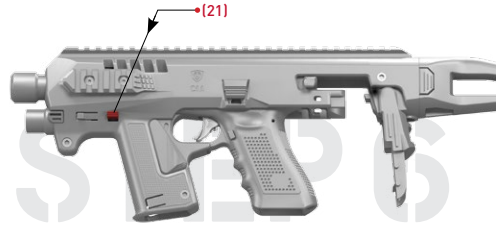
Place the charging handle (17) over the pistol's cocking serrations and rear sight - as shown above.

MICRO-RONI PISTOL INSTALATION



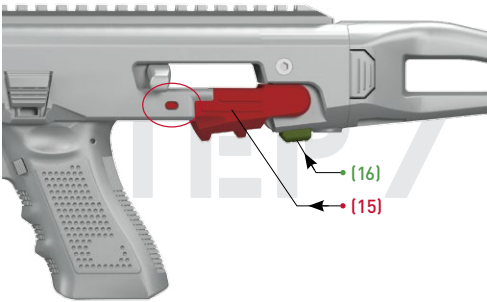
STEP 5

Insert the pistol into the MICRO-RONI at the angle illustrated above and the charging-handle (17) in the direction of the arrow above.



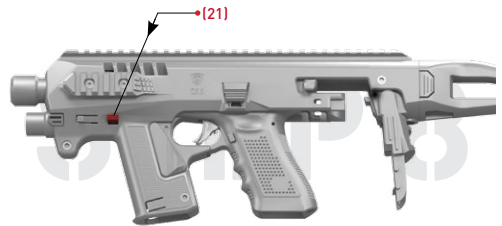
STEP 6

Slide the pistol forward till the extraction button (21) clicks.



STEP 7

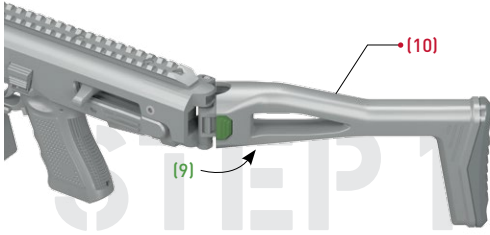
Close the insertion hatch/door (15) and push it forward till it clicks and locks on its locking-pin (circled). Make sure that the locking-button (16) extends out.



STEP 8

To draw out the pistol, first follow steps 2 and 3. To unlock it, push down simultaneously the extraction buttons (21) from both sides (left and right). Only then you can slide the pistol out.

MICRORONI STOCK AND BRACE CONFIGURATIONS



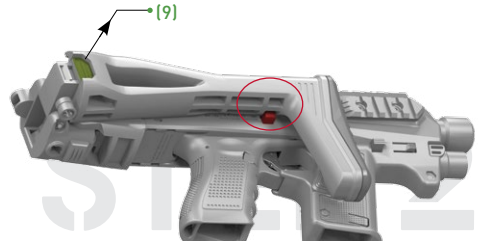
OPERATING THE STOCK

STEP 1

Closing- push the locking push-button [9] and swing the stock [10] on its hinge till it locks against the body.

Note:

The stock will not lock unless a pistol is installed first.



STEP 2

Opening- to release the stock from its locking-hook (circled), slightly lift it and pull the stock [10] open so the push-button [9] extends and locks.



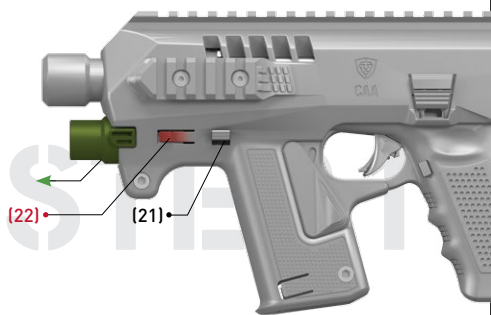
NO NFA REQUIREMENTS

OPERATING THE STABILIZER BRACE

Placing the arm- Put your arm into the brace. Use the Velcro to surround your arm and tighten it.

Closing- push the locking push-button [9] and swing the stock on its hinge. The stock does not locks against the body.

MICRO **RONI** FLASHLIGHT INSTALATION



STEP 1

Push on both (left/right) locking-levers (22) and pull out the dummy-tube (green).

Do not use the pistol extraction button (21) by mistake.



STEP 2

By rotating the flashlight 180°, you can choose which direction the activation push button (24) faces (left or right).



STEP 3

Slide the flashlight sleeve (1) into its slot till its locks.



STEP 4

To replace the battery, by going through STEP-1 (above), unscrew the butt cap.

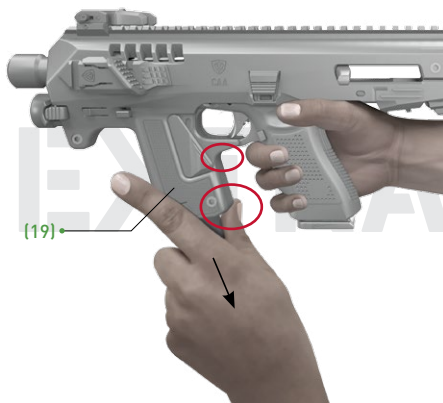
MICRORONI THUMB REST, MAGAZINE AND SAFETY COVER



THUMB RESTS - RIGHT AND LEFT

Slide the thumb rest (23) on the accessory side rail (3). Place it in position by using the locking-tooth (circled).

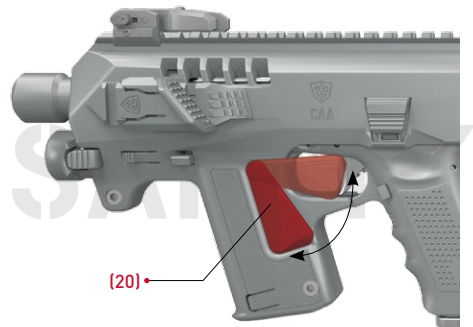
Make sure that the locking-tooth (circled) is forward and the thumb rest (23) faces the same angle as illustrated above.



EXTRA MAGAZINE

The extra magazine is held by pressure only. To use the extra magazine, pull it down while pushing with your thumb (circled) against the rear edge of the mag' carrier (19), or at the bottom of the trigger guard.

Note: The extra magazine carrier is not available with the stabilizer brace model.



TRIGGER GUARD SAFETY COVER

To secure the trigger, swing the safety cover (20) on its hinge as illustrated above.



FLIP UP SIGHTS

Can be used as primary or back-up sights.

#FRS: Low profile rear flip-up sight.

#FFS: Low profile front flip-up sight.



RED-DOT SIGHT

#MRDS: Small and compatible with the MICRO-RONI.



TACTICAL SLINGS & SLING SWIVEL

#OPS: One point sling

#PBSS: Push button heavy duty sling swivel.



POLYMER SUITCASE

#MIC-ROCASE: accepts the MIC-RONI and/or other accessories.



THUMB REST

#TRH: Set of two.

For left and right hand users



FLASHLIGHT

#MRFL: Integral front flashlight for both left and right users.

MICRO-RONI STABILIZER

NO NFA REQUIREMENTS



MICRO-RONI



WARNINGS AND SAFETY:

READ AND FOLLOW THE MANUAL, FOR MORE INFORMATION VISIT OUR WEBSITE.

MAKE SURE THE FIREARM IS UNLOADED PRIOR TO INSTALLATION.

PRACTICE SAFE FIREARM HANDLING PROCEDURES AT ALL TIMES.

DO NOT USE COMPENSATED PISTOLS OF ANY KIND.



CAA

GEAR UP

WWW.CAAGEARUP.COM

